

## Original Operating Manual

### SPR-BX 80/ 100/ 120 Box spreader



### Table of contents

<b>1</b>	<b>About this operating manual .....</b>	<b>3</b>
<b>2</b>	<b>Safety.....</b>	<b>4</b>
2.1	Intended use.....	4
2.2	Qualifications of personnel.....	4
2.3	General safety notices .....	4
2.4	Special safety notices .....	5
<b>3</b>	<b>Delivery and transport.....</b>	<b>7</b>
3.1	Lifting the spreader off of the pallet.....	7
3.2	Long-distance transport .....	7
<b>4</b>	<b>Installation.....</b>	<b>8</b>
4.1	Tractor requirements .....	8
4.2	Mounting in the tractor's rear three-point linkage .....	8
4.3	Mechanical drive.....	9
4.4	Drive kit, hydraulic .....	11
4.5	Manual dosing flap actuation .....	12
4.6	Hydraulic dosing flap actuation .....	12
4.7	Electric dosing flap actuation .....	12
4.8	Lighting.....	13
4.9	Work light .....	14
4.10	Volume expansion and tarpaulin.....	15
4.11	Wheel set .....	15
4.12	Mounting the seed rail .....	16
4.13	Broom and shovel holder .....	16
<b>5</b>	<b>Operation .....</b>	<b>17</b>
5.1	Parking the box spreader.....	17
5.2	Filling the box spreader .....	17
5.3	Inspections before putting into operation .....	18
5.4	Setting the spread quantity .....	18
5.5	Spread density.....	18
5.6	Spread test .....	18
5.7	Lighting.....	19
5.8	Covering the spread container.....	19
<b>6</b>	<b>Troubleshooting .....</b>	<b>20</b>
<b>7</b>	<b>Maintenance.....</b>	<b>20</b>
7.1	General information .....	20
7.2	Maintenance .....	21
7.3	Repair.....	25
<b>8</b>	<b>Disposal .....</b>	<b>25</b>
<b>9</b>	<b>Guarantee.....</b>	<b>26</b>
<b>10</b>	<b>Technical data and accessories .....</b>	<b>26</b>
10.1	Technical data .....	26
10.2	Accessories .....	27
<b>11</b>	<b>List of illustrations.....</b>	<b>28</b>
<b>12</b>	<b>EC Declaration of Conformity .....</b>	<b>29</b>

### 1 About this operating manual

Dear customer!

Congratulations on your purchase of this box spreader and thank you for choosing matev.

Carefully read this entire operating manual before using the box spreader the first time.

Keep this operating manual where it is easily accessible. This will enable you to refer to important information and handling instructions as needed.

Listings with bullet points are marked as follows:

- Text
- Text
- Text. . .

Handling instructions are marked in the sequence in which they should be executed, as follows:

1. Text
2. Text
3. Text. . .



**The box spreader is subject to technological advances. All information, illustrations, and technical specifications represent the latest status at the time this manual was published. The manufacturer reserves the right to make changes at any time in the interest of technical progress.**

## 2 Safety



### **Note Must be read!!!**

Guidelines and instructions that you must comply with are presented in this section.

### 2.1 Intended use

The spreader should only be mounted on tractors with sufficient power axle load. The prescribed ballast for the tractor and the specified maximum axle load must be complied with.

- The box spreader is designed for normal use in spreading easily scattering material such as grit, salt and sand on roads and paths for snow and ice control.
- The box spreader is designed for spreading dry, granular and easily scattering fertilizer or seeds.
- Any use extending beyond the intended use cited above is considered non-intended use. The manufacturer bears no liability whatsoever for resulting damage; the risk associated with non-intended use is borne solely by the operator.
- Intended use also includes compliance with the operating, service, and maintenance conditions prescribed by the manufacturer.
- The implement should only be used, maintained, and repaired by persons who are familiar with these tasks and who have been instructed in the hazards.
- Moreover, intended use includes exclusive use of original spare parts and supplemental equipment, or use of such parts and equipment that meet the technical requirements specified by the manufacturer.
- Unauthorized modifications to the machine result in exclusion of liability on the part of the manufacturer. For the resulting damage, in the case of non-intended use:
  - Health hazards for the operator or for third parties
  - Damage to the tractor and the implements
  - Environmental damage
  - Immediate invalidation of the guarantee
- Changes to the implement and/or the associated accessories that are not authorized by the manufacturer invalidate the guarantee and exclude any liability on the part of the manufacturer for damage due to the changes.
- To avoid accidents and to reduce the risk of accidents, the relevant accident prevention regulations and the other generally acknowledged occupational health and safety and road traffic regulations apply without limitation.

### 2.2 Qualifications of personnel

The spreader should only be mounted, operated, and maintained by persons who have the following qualifications:

- They must be at least 16 years old.
- They must have read and understood this operating manual.

### 2.3 General safety notices

This section explains general safety notices that are used in the subsequent sections.

Comply with these safety notices to ensure safe operation and to save work time and costs.

- In addition to the instructions in this operating manual, also comply with the generally valid safety and accident prevention regulations! Young persons under the age of 16 are not allowed to operate the implement!
- Comply with the respective regulations for use on public traffic routes!
- Prior to commencing work, become familiar with all features and activation elements, and their function. Ensure that all protective devices are properly attached.
- The user is responsible to third persons in the work area!
- Do not enter the danger zone of the machine!
- Check the immediate vicinity of the implement before start-up. Ensure sufficient visibility!
- Fluids (hydraulic oil) escaping under high pressure can penetrate the skin and cause severe injuries! Seek medical attention immediately – danger of infection!
- Always execute repair, maintenance, and cleaning tasks, as well as rectification of malfunctions with the drive switched off and the engine at a standstill. Remove the ignition key! After execution of these tasks re-attach all protective devices!
- For maintenance tasks with the implement lifted, always ensure that the lifted implement is secured with suitable support elements!

These safety notices are used in the subsequent sections.



**Danger!**  
**Severe injury to the operator or third parties occurs.**  
**Comply with the safety notice.**



**Attention!**  
**Minor injury to the operator or third parties can occur. The tractor, the spreader, or the environment can be damaged.**  
**Comply with the safety notice.**



**Note!**  
**Important, helpful tips or information for the operator.**  
**Read this note. It facilitates your work.**



**Attention!**  
**Injuries can occur.**  
**Wear protective work clothing.**

## 2.4 Special safety notices

The safety instructions specified in this section are also affixed as stickers on the implements.



**Attention!**  
Injuries can occur due to improper operation. The implement can be damaged.  
Read the operating manual all the way through.  
Comply with the safety instructions.



**Danger** due to thrown-out parts when the engine is running – maintain a safety distance.



**Attention!**  
Danger of crushing due to moving parts.  
Never reach into the crushing hazard zone if parts are moving or can move.  
Comply with the notice in the operating manual.



Touch machine components only if they have completely stopped moving.



**Attention!**  
Prior to performing maintenance and repair tasks, turn off the engine and remove the key. Danger of injury due to moving parts.



**Attention!**  
Danger of injury due to rotating parts. Switch off the implement. Wait until all machine parts have come to a standstill before converting or servicing the implement.  
Do not position yourself in the area of the drive shaft.  
Increased risk of accident due to rotating PTO shaft. Do not enter the work area of the PTO shaft when it is rotating.  
For your own safety do not wear any loose clothing, belts, or any other loose items.



Caution if fluid is escaping under high pressure.  
Observe the notice in the technical manual



Never open or remove safety devices when the engine is running

### 3 Delivery and transport

The spreader is delivered lashed on a pallet.

#### 3.1 Lifting the spreader off of the pallet

1. Remove the protective packaging and the transport safeguard.
2. Lift the spreader off of the pallet using suitable equipment, such as a crane or forklift, and set it down.

#### 3.2 Long-distance transport

To transport the spreader over longer distances (e.g. for consignment), you must lash the spreader to a pallet as at the time of delivery.



**Never transport the spreader without a tractor unless the container is empty!**  
**Do not unhitch the spreader from the tractor when the container is filled.**

- If the spreader is not mounted on a tractor, the spreader may be transported only if the container is empty.
- Suitable transport equipment or hoists must be used (crane, forklift, lift truck)
- The spreader can be pushed a short distance on wheels if the container is empty. An optional wheel set is available for this purpose. If the spreader is equipped with a wheel set, the spreader must be secured against rolling away.

### 4 Installation



**Danger!**

**Switch off the tractor and remove the ignition key before mounting or dismounting the implements.**



**Note!**

**Enter the vehicle identification number of the spreader in section 7.3 of this operating manual.**

#### 4.1 Tractor requirements

The following requirements must be met for safe and authorized use of the box spreader.



**Make allowance for the axle loads of the tractor!**

- Make allowance for the tractor axle loads!
- Three-point hitch category 1, 2 or 1N
- Universal joint shaft connection: 1 3/8", 6-part, 540 rpm if the spreader is mechanically driven.
- Hydraulic power:
  - 1 control circuit required if the spreader is hydraulically driven.
  - 1 control circuit required if the dosing unit is hydraulically controlled.
  - Volume flow rate: at least 15 L/min; pressure 150 bar
- Vehicle electrical system 12 V if the dosing unit is electrically controlled and for lights and work light.

#### 4.2 Mounting in the tractor's rear three-point linkage



**Note!**

**The box spreader is a compact implement that can be mounted on numerous different tractors.**

This spreader can be mounted on tractors with the following rear three-point hydraulic system of the following categories:

- Cat 1
- Cat 1-N
- Cat 2 (not possible with SPR-HM-80)

Mount the spreader in the tractor's rear three-point linkage. Make sure to use the correct connecting points corresponding to the three-point linkage.



There are two attachment points for the upper link.

- Upper point is for Cat 2
- Lower point is for Cat 1 and Cat 1N

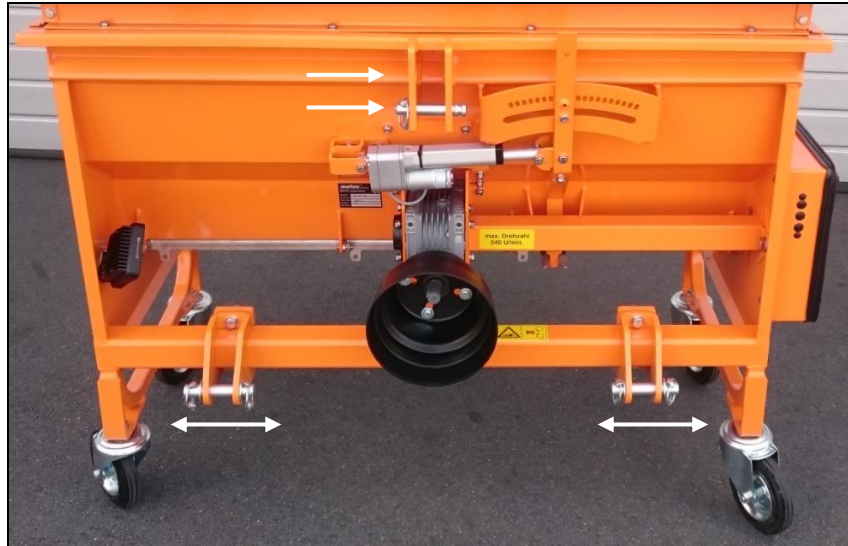


Fig. 1: Mounting categories

The mount for the tractor's lower link is width-adjustable and likewise is equipped with two attachment points.

### 4.3 Mechanical drive

The spreader can be driven mechanically by means of a universal joint shaft. The universal joint shaft requires a connection on the spreader with a diameter of 19 mm and a feather key. The universal joint shaft connection on the tractor differs depending on the tractor model. The length of the universal joint shaft must be adapted to the particular tractor.



**Attention!**

**Damage can occur to the spreader or the tractor.**

**Only use the provided universal joint shaft.**

**Comply with the instructions in the operating manual provided by the manufacturer of the universal joint shaft.**



**Note!**

**Mount the universal joint shaft as described in the original manual supplied by the manufacturer of the universal joint shaft.**



**Note!**

**Depending on tractor type the supplied universal joint shaft may be too long. Execute the steps described below to shorten the universal joint shaft.**

#### 4.3.1 Adaptation of the universal joint shaft

1. Pull the two halves of the universal joint shaft apart.

## Installation

---

2. Mount the one end of the universal joint shaft on the tractor.
3. Mount the other end of the universal joint shaft on the implement.
4. In the shortest work position, mark the piece that will be sawn off on one half of the universal joint shaft.

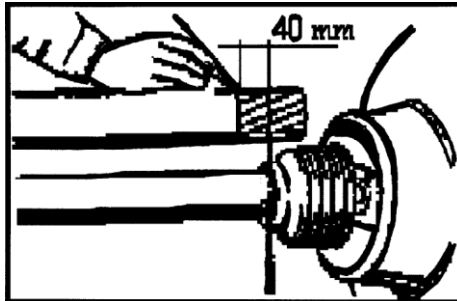


Fig. 2: Mark the cutting point length

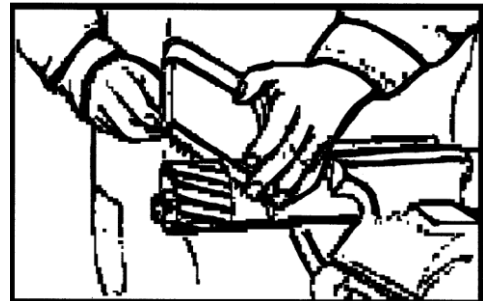


Fig. 3: Sawing the universal joint shaft to

5. Cut off the universal joint shaft guard to the marking.
6. Saw off the profile tube. Attention: The profile tube must be 10 mm longer than the guard.

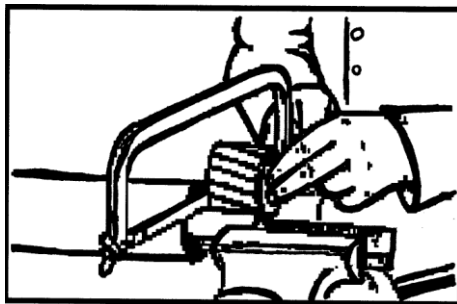


Fig. 4: Sawing off the profile tube

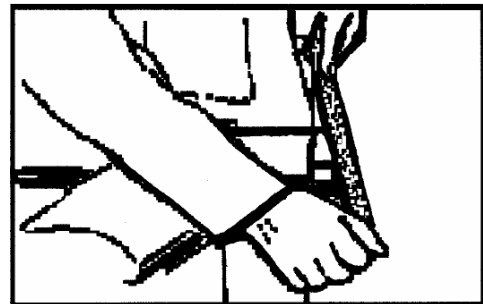


Fig. 5: Deburring of the cut edges

7. Repeat steps described steps on the other half of the universal joint shaft.
8. Deburr the sawn edges.
9. Grease the profile tube.

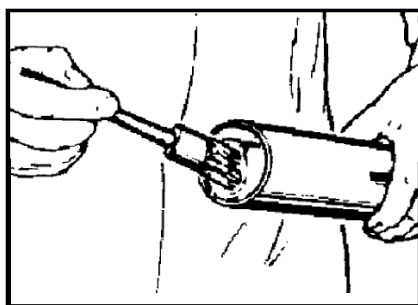


Fig. 6: Greasing the profile tubes

10. Slide the profile tubes together.

### 4.3.2 Mounting the universal joint shaft

1. Connect the counter-piece of the shaft with the implement and secure this with the screw included in the scope of delivery.
2. Press the locking disk that is on the outer side and keep it depressed.
3. Slide the splined shaft onto the splined shaft of the PTO shaft.
4. Release the lock disk.
5. Slightly move the universal joint shaft back and forth until the locking disk audibly locks in place.

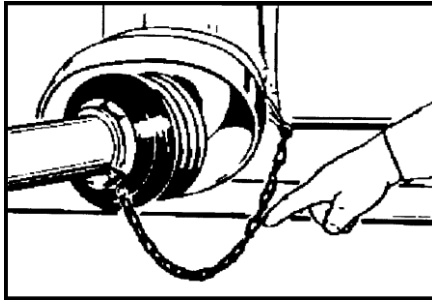


Fig. 7: Allow the locking disk to lock in place

6. Hook the universal joint shaft safety chains to a stationary part on the tractor and on the implement.

#### 4.4 Drive kit, hydraulic

If the spreader is driven hydraulically the speed (15 rpm) of the roller can be adjusted by means of the valve.

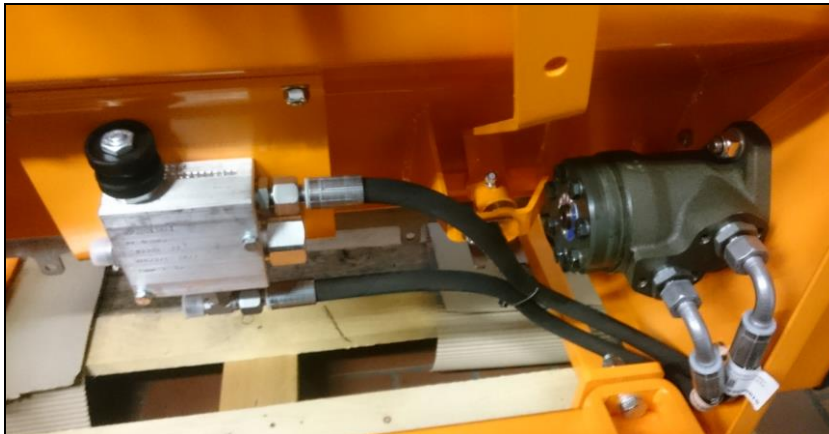
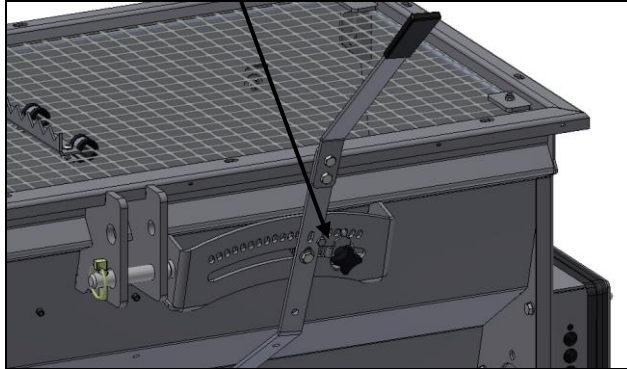


Fig. 8: Drive kit, hydraulic

### 4.5 Manual dosing flap actuation

The dosing flap can be moved by hand. The maximum opening can be defined by setting the locking mechanism.



### 4.6 Hydraulic dosing flap actuation

The dosing flap can be moved hydraulically by means of a hydraulic cylinder. The maximum opening can be defined by setting the locking mechanism.



Fig. 9: Hydraulic dosing flap actuation

### 4.7 Electric dosing flap actuation

The dosing flap can be moved electrically by means of an electric cylinder, by pressing a rocker switch.

Make sure that the locking mechanism (see Fig. 9: Hydraulic dosing flap actuation) is not be mounted, since this could damage the electric cylinder.

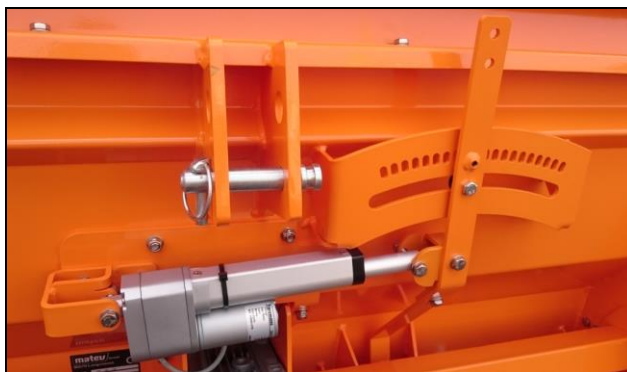


Fig. 10: Electric dosing flap actuation

## 4.8 Lighting

To operate the lighting system the plug-in connector of the spreader must be connected to the trailer socket on the tractor. Before each use, inspect the lighting system to ensure that it is functioning properly.

Depending on the width, the lights are mounted as shown in the following three figures.

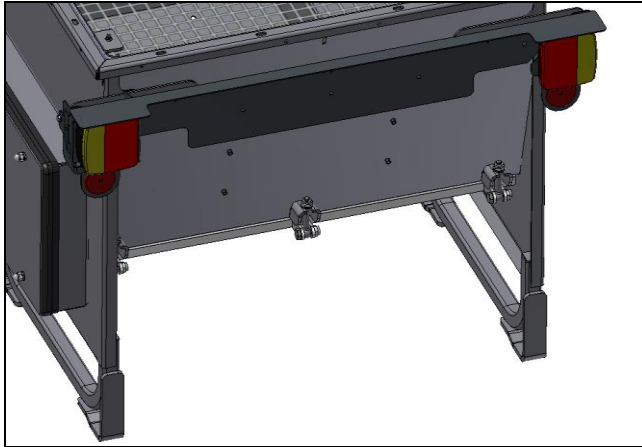


Fig. 11: Lights for 80 cm spreader width

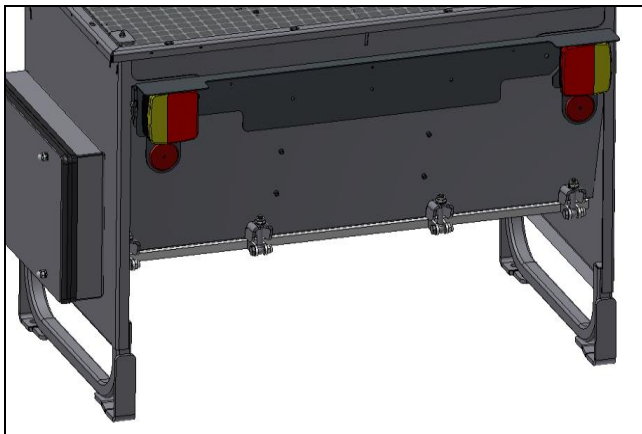


Fig. 12: Lights for 100cm spreader width

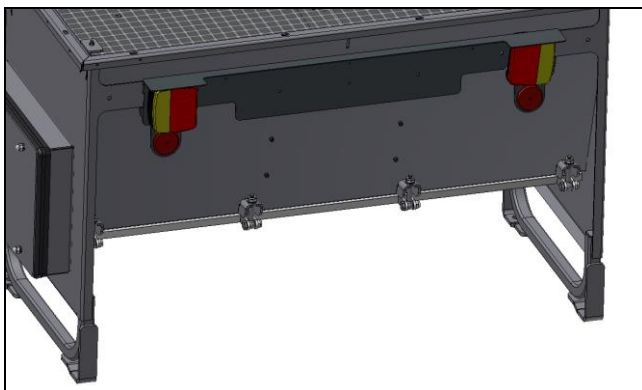


Fig. 13: Lights for 120cm spreader width

The cable for the lights is routed in the channel and fastened with cable ties.

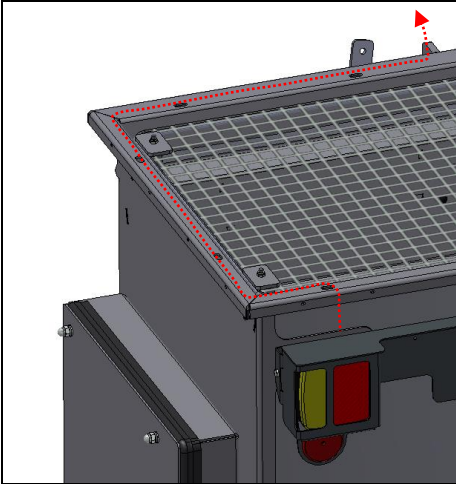


Fig. 14: Routing of cables

An optional hoop guard can be mounted over the lights.

**4.9**

**Work light**

The work light with mud guard can be connected only in combination with the lighting system. The cable for the work light is connected to the lighting system.

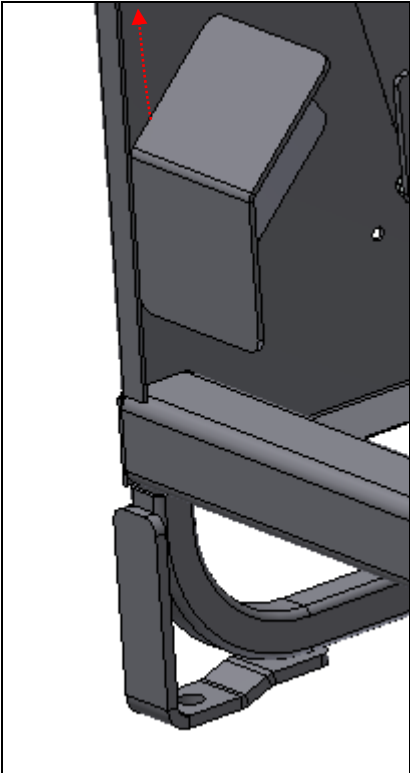


Fig. 15: Work light

#### 4.10 Volume expansion and tarpaulin

The volume of the box spreader can be expanded by means of add-on sections. The optional folding tarpaulin can be mounted without add-on sections or on top of the add-on sections.



**Make allowance for the axle loads of the tractor!**  
**No more than two add-on sections can be mounted on one spreader.**

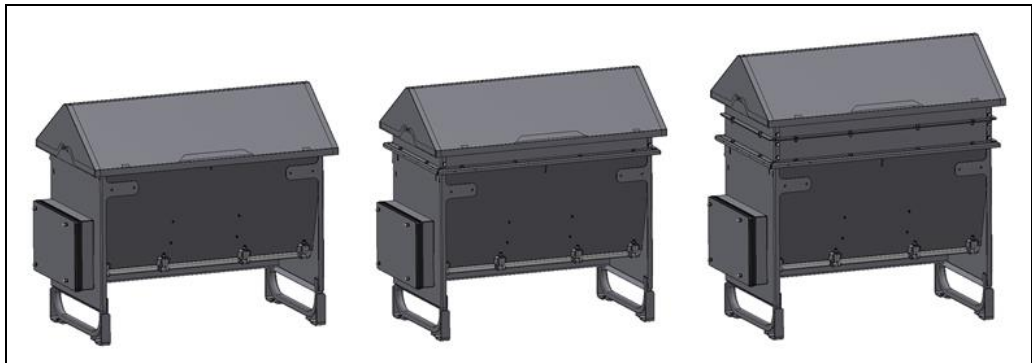


Fig. 16: Spreader with tarpaulin and one, two or no additional add-on sections

#### 4.11 Wheel set

The spreader can be pushed a short distance on wheels if the container is empty. An optional wheel set is available for this purpose. If the spreader is equipped with a wheel set, the spreader must be secured against rolling away.



**Do not unhitch the spreader from the tractor when the container is filled.**  
**Never transport the spreader without a tractor unless the container is empty!**  
**Secure the spreader from rolling away.**



Fig. 17: Wheel set mounted on spreader

**4.12 Mounting the seed rail**

The seed rail is mounted on the rigid part of the dosing rail as shown in the figures.

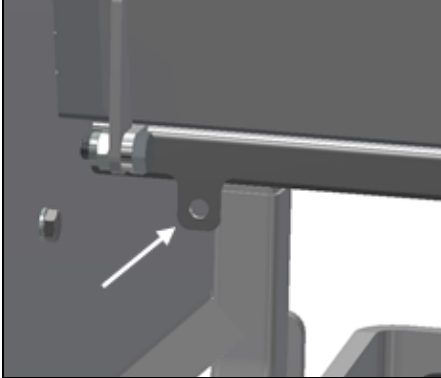


Fig. 18: Screw-on point, rigid part of dosing rail

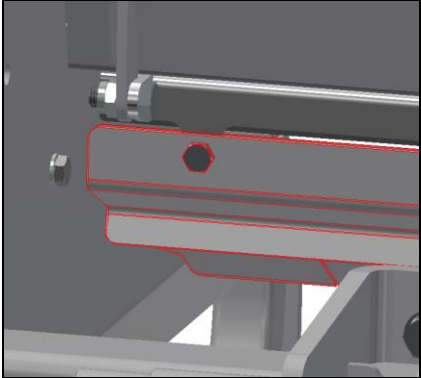


Fig. 19: Seed rail mounted

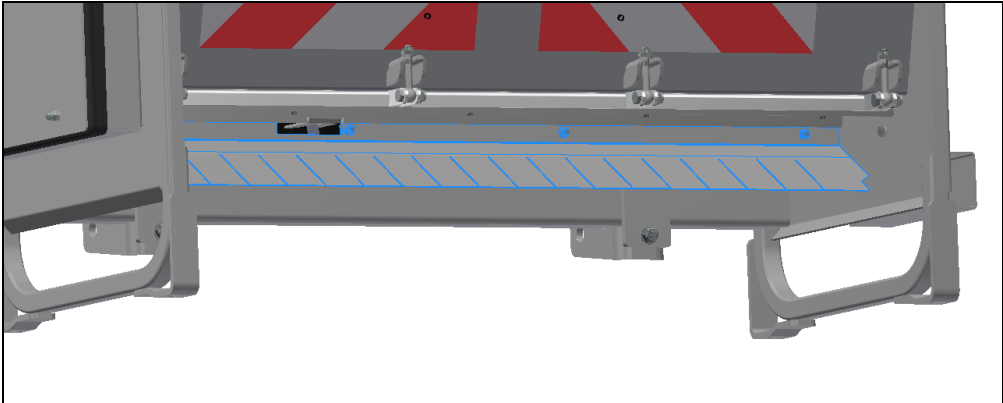


Fig. 20: Seed rail mounted

**4.13 Broom and shovel holder**

The broom and shovel holder is mounted as shown in the figure. An additional lock for the broom and shovel is available as an option. (figure at right)



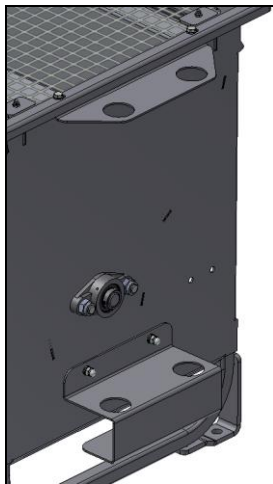


Fig. 21: Broom and shovel holder

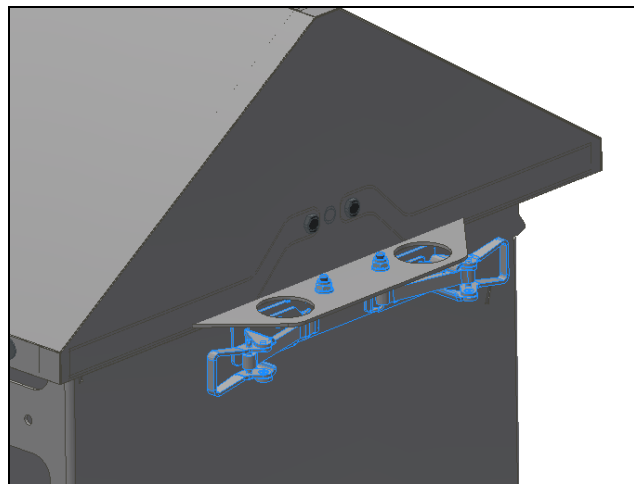


Fig. 22: Broom and shovel lock

## 5 Operation



### Danger!

Severe injury to the operator or third parties occurs.  
The load distribution on the trailer changes due to the attached spreader.  
Steering and braking capability, as well as tilt behavior are influenced.  
Initiate countermeasures - ensure sufficient front wheel ballast!



### Danger!

Severe injury to the operator or third parties occurs.  
Never reach into the area of the agitator. Switch off the tractor and remove the ignition key before reaching into the area of moving parts. Make sure that the safety grille is always attached during operation.



### Attention!

Increased risk of accident due to rotating PTO shaft.  
Do not enter the work area of the PTO shaft until it has stopped rotating.  
Do not wear baggy or loose clothing that could get caught in the PTO shaft.

### 5.1 Parking the box spreader

Park the box spreader on a level and paved surface and only when the container is empty

### 5.2 Filling the box spreader

Before filling the box spreader, connect the spreader to the tractor and lower the tractor's rear hydraulic unit and set the spreader on the ground. Shut off the tractor engine, remove the key from the ignition and set the hand brake. Before filling the spreader container, always check for foreign objects. The gate valve must also be checked regularly to ensure it is functioning properly.

Fill the spreader no higher than the edge of the box spreader or the volume expansion add-on sections.



**Note!**

**Do not exceed the maximum rated load. If the rated load is exceeded this will void the warranty. Different specific weights occur depending on the status of the spread material (wet or dry).**

### 5.3 Inspections before putting into operation

- Are all safety devices mounted on the spreader and in working order?
- Is the safety grille screwed tight in the container and undamaged?
- Is there no one in the danger area?
- Is the universal shaft joint guard undamaged?
- Is the chain housing closed?

### 5.4 Setting the spread quantity

The spread quantity can be set manually, electrically or hydraulically, depending on the selected option. See section 4.5 - 4.7

### 5.5 Spread density

The spread density  $g/m^2$  depends on the following factors:

- Adjustment of the spread rate regulator
- Vehicle speed
- PTO shaft speed or flow rate of the hydraulic oil
- Spread material (density, grain)
- Condition of the spread material (dry, moist)

Proceed as follows to calculate the spread quantity per minute at known driving speed, spread width and desired spread density:

Vehicle speed	$v$ [km/h]
Spread width	$w$ [m]
Desired spread density	$D$ [g/m <sup>2</sup> ]
Spread material quantity / minute	$S$ [kg/min]
Calculation formula:	$S = D * w * v / 60$

To achieve the desired quantity (spread quantity per minute) it is absolutely necessary to conduct a spread test. See section 5.6

### 5.6 Spread test



**Danger!**  
**Severe injury to the operator or third parties occurs.**  
**Never reach into the area of the agitator, spreader disc and vanes while they are rotating. Switch off the tractor and remove the ignition key before reaching into the area of the vanes.**



**Attention!**  
**Danger of crushing due to moving parts.**  
**Never reach into the crushing hazard zone if parts are moving or can move.**



**Attention!**  
**Increased risk of accident due to rotating PTO shaft.**  
**Do not enter the work area of the PTO shaft until it has stopped rotating.**  
**Do not wear baggy or loose clothing that could get caught in the PTO shaft.**

Proceed as follows to carry out a spread test:

1. Close the gate valve for regulation of the spread quantity
2. Fill the container with the spread material
3. Set the stop for limiting the spread quantity
4. Fasten a plastic sheet or a suitable tarpaulin under the spreader so that the spreader roll can rotate and the discharged spread material is collected
5. Set the tractor and the PTO shaft to 540 rpm
6. Open the gate valve for regulation of the spread quantity to the stop
7. Carry out a spread test for exactly 60 seconds
8. Shut off the tractor and remove the key from the ignition
9. Collect and weigh the discharged spread material
10. If the discharged quantity (S) does not match the calculated quantity, select a different gate valve opening and repeat the spread test.

### 5.7 Lighting

To operate the lighting system the 7-pin plug-in connector of the spreader must be connected to the trailer socket on the tractor. Before each use, inspect the lighting system to ensure that it is functioning properly.

### 5.8 Covering the spread container

The cover of the spreader protects the spread material from moisture.

The covering and fasteners are designed for vehicle speeds of no more than 30 km/h. If the spreader is operated or transported on vehicles that exceed this speed the container cover must be separately secured or taken off.

### 6 Troubleshooting

If the spread pattern is not satisfactory, this may be due to the following reasons:

- Inconsistent properties of the spread material: different density, grain form or moisture content
- Clotting of the spread material
- Spread material is blown away by strong wind
- Clogging or bridging by foreign objects
- Uneven terrain
- Worn agitator fingers
- Incorrect input rpm
- Incorrect speed

### 7 Maintenance

#### 7.1 General information



**Attention!**

**Personal injury or damage to the tractor and the implements can occur. Before each use of the implements check all safety-relevant parts and the hydraulic connections.**



**Danger!**

**Only perform service and maintenance tasks when the tractor is switched off.**



**Attention!**

**Remove the ignition key before performing maintenance tasks on the implement.**



**Attention!**

**Danger of crushing due to moving parts.**

**Never reach into the crushing hazard zone if parts are moving or can move.**

**If there is pressure loss there is danger of crushing and shear injuries in the lift-out mechanism.**



**Attention!**  
Properly reattach all protective devices that have been dismantled after executing the maintenance tasks.



**Note!**

- After the first 20 hours of operation check all screw and bolt connections.
- Subject the implement to regular maintenance.
- Use lubricating grease to lubricate the moving parts.

## 7.2 Maintenance

The spreader must be cleaned and the container emptied after each use, as well as at the start and end of the season. The following steps must be taken in this regard:

### 7.2.1 Maintenance schedule

- Empty the implement and clean thoroughly to remove salt and spread material. To do so, loosen and remove the screws in order to fold down the dosing rail.

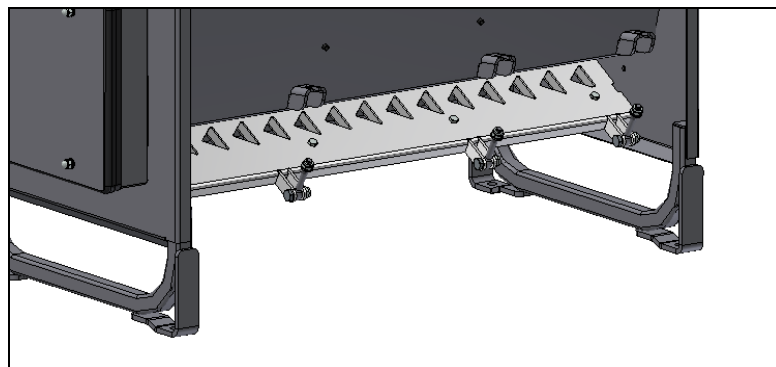


Fig. 23: Folding down the dosing rail

- Check the implement for damage and faults and replace any damaged parts.
- Re-tighten all screws.
- Lubricate the universal joint shaft with multi-purpose grease.
- Lubricate all bolt connections, the valve gates and joints of the spread quantity regulator and the agitators with grease
- Check hoses and connecting cables for sound condition and replace if necessary
- Repair rust damage immediately and oil the implement.

The gearbox is filled with oil at the factor and is maintenance free.

## Maintenance

---

### 7.2.2 Lubricating schedule

To lubricate the device as specified in the maintenance schedule, proceed as follows:

- Lubricate the pedestal bearing on the left in direction of travel



Fig. 24: Pedestal bearing on left in direction of travel

- Lubricate the two pedestal bearings and the chain in the chain housing. An optional central lubrication system is available for lubrication of the chain housing.

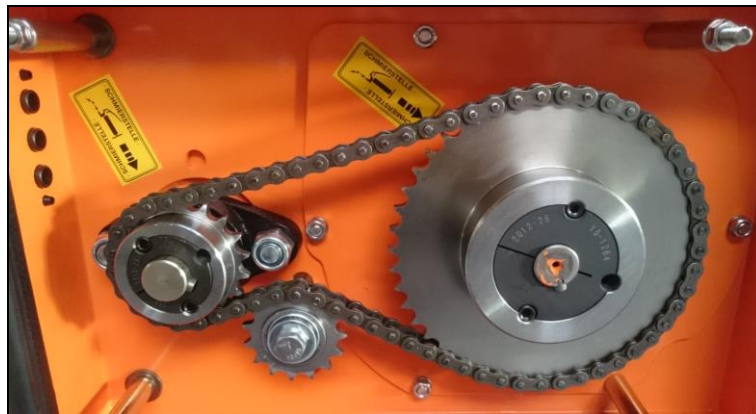


Fig. 25: Open chain housing

- Lubricate the bolt of the dosing regulator

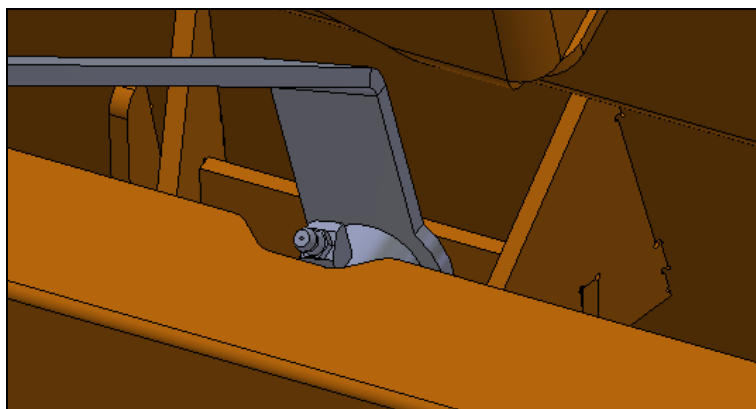


Fig. 26: Lubricating the bolt

- Regrease the spread rail



Fig. 27: Regreasing the spread rail

- The universal joint shaft must be greased.

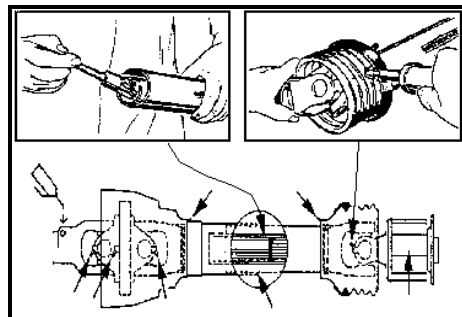


Fig. 28: Universal joint shaft

### 7.2.3 Replacing agitator fingers / agitator shaft

The agitator fingers are wear parts and must be replaced if they are worn.



**Attention!**  
**Remove the key from the ignition before replacing the agitator fingers.**

Carry out the following steps to replace the agitator fingers:

1. Set the spreader on the ground and shut off the tractor; remove the ignition key.
2. Loosen the shaft guard from the radial insert ball bearing (on the right in direction of travel).

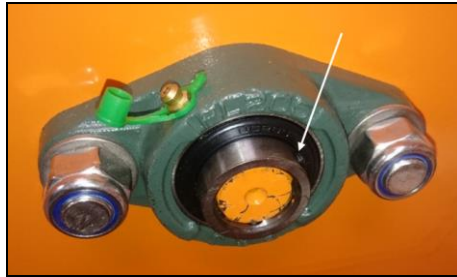


Fig. 29: Loosening the shaft

3. Unscrew the cover from the chain housing, relax the chain tension and remove the chain.
4. Remove the large chain wheel and the chain tensioning wheel



Fig. 30: Opening the chain housing

5. Remove the pedestal bearing and the plate behind the pedestal bearing
6. Pull out the agitator shaft

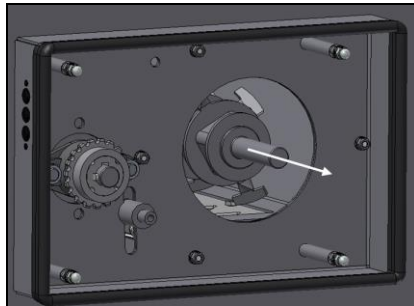


Fig. 31: Pulling the agitator shaft out of the box spreader

7. After loosening the screw you can remove the single agitator fingers from the shaft and replace them

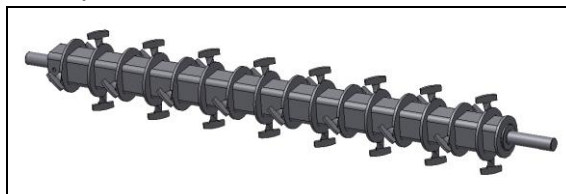


Fig. 32: Agitator shaft



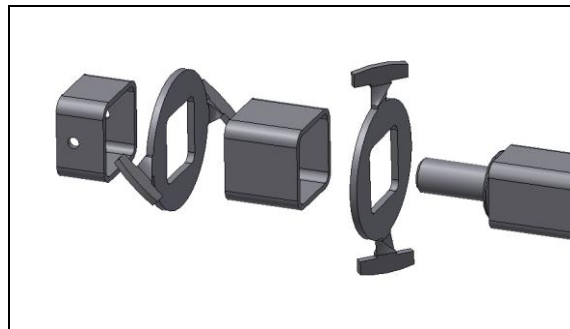


Fig. 33: Replacing agitator fingers

8. After replacing the agitator fingers, install the agitator shaft in reverse sequence. When installing the agitator shaft make sure that the agitator fingers are exactly above the openings in the dosing gate valve.

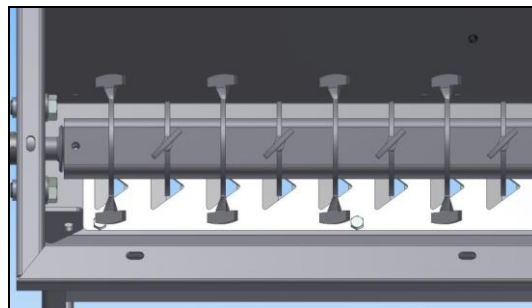


Fig. 34: Agitator shaft in box spreader

### 7.3 Repair

If there are faults, problems, or other indications of malfunction, contact your sales consultant or contact the manufacturer directly:

matev GmbH  
Nürnberg Str. 50  
90579 Langenzenn  
Tel.: (Switchboard): +49 9101/90 87-0

Enter the article number and the chassis number here.  
This information is on the type plate of the implement.

Article number: .....

Chassis number: .....

## 8 Disposal

The spreader must be disposed of in accordance with the applicable regulations of the municipality or the country.

## Guarantee

---

Take the parts to the collection points for residual waste, special waste, or recycle them depending on material.

matev GmbH does not provide any disposal services.

## 9 Guarantee

The General Terms & Conditions of matev GmbH provide information on the guarantee conditions.

**matev GmbH**  
**Nürnberg Str. 50**  
**90579 Langenzenn, Germany**

## 10 Technical data and accessories

### 10.1 Technical data

	<b>SPR - 80</b>	<b>SPR - 100</b>	<b>SPR - 120</b>
Capacity	150 liters	190 liters	230 liters
Volume expansion	max. 2x 44 liters	max. 2x 55 liters	max. 2x 66 liters
Empty weight in standard version	133 kg	149 kg	164 kg
Height, without add-on section	80 cm	80 cm	80 cm
Width	95 cm	115 cm	130 cm
Depth, without accessories	67 cm	67 cm	67 cm
PTO shaft speed	540 rpm		
3-point connection	Cat. 1, Cat. 1 N, Cat. 2		

Fig. 35: Technical data

10.2 Accessories

<b>Accessories</b>
Central lubrication system
Wheel set
Cover tarp
Add-on section for volume expansion
Lighting
Work light
Holder for broom and shovel

Fig. 36: Accessories

### 11 List of illustrations

Fig. 1: Mounting categories .....	9
Fig. 2: Mark the cutting point    Fig. 3: Sawing the universal joint shaft to length .....	10
Fig. 4: Sawing off the profile tube    Fig. 5: Deburring of the cut edges .....	10
Fig. 6: Greasing the profile tubes .....	10
Fig. 7: Allow the locking disk to lock in place .....	11
Fig. 8: Drive kit, hydraulic .....	11
Fig. 9: Hydraulic dosing flap actuation .....	12
Fig. 10: Electric dosing flap actuation.....	12
Fig. 11: Lights for 80 cm spreader width .....	13
Fig. 12: Lights for 100cm spreader width .....	13
Fig. 13: Lights for 120cm spreader width .....	13
Fig. 14: Routing of cables.....	14
Fig. 15: Work light.....	14
Fig. 16: Spreader with tarpaulin and one, two or no additional add-on sections .....	15
Fig. 17: Wheel set mounted on spreader .....	15
Fig. 18: Screw-on point, rigid part of dosing rail    Fig. 19: Seed rail mounted .....	16
Fig. 20: Seed rail mounted .....	16
Fig. 21: Broom and shovel holder    Fig. 22: Broom and shovel lock.....	17
Fig. 23: Folding down the dosing rail.....	21
Fig. 24: Pedestal bearing on left in direction of travel .....	22
Fig. 25: Open chain housing.....	22
Fig. 26: Lubricating the bolt .....	22
Fig. 27: Regreasing the spread rail .....	23
Fig. 28: Universal joint shaft .....	23
Fig. 29: Loosening the shaft .....	24
Fig. 30: Opening the chain housing.....	24
Fig. 31: Pulling the agitator shaft out of the box spreader.....	24
Fig. 32: Agitator shaft .....	24
Fig. 33: Replacing agitator fingers.....	25
Fig. 34: Agitator shaft in box spreader .....	25
Fig. 35: Technical data .....	26
Fig. 36: Accessories .....	27

12                  EC Declaration of Conformity

EC Declaration of Conformity for a machine to confirm compliance with the Machinery Directive 2006/42/EC and with the statutory regulations issued for the implementation of the Machinery Directive.

The manufacturer                          matev GmbH  
Nuremberg Str.50  
90579 Langenzenn, Germany

declares that the machine              box spreader  
SPR-HM-080  
SPR-HM-100  
SPR-HM-120

complies with the provisions of the Machinery Directive 2006/42/EC and with the implementing national statutory regulations.

The undersigned is authorized to compile the technical documents.

The address is the address of the manufacturer.

Date / signature                          October 2016

Name of signatory  
Position of signatory



.....

Georg Hemmerlein  
Managing Director