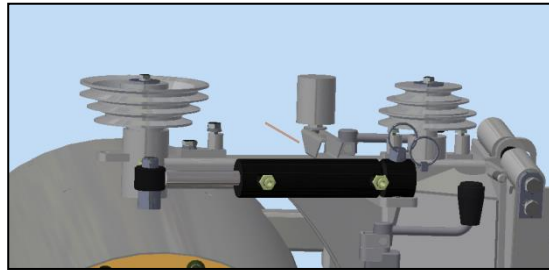
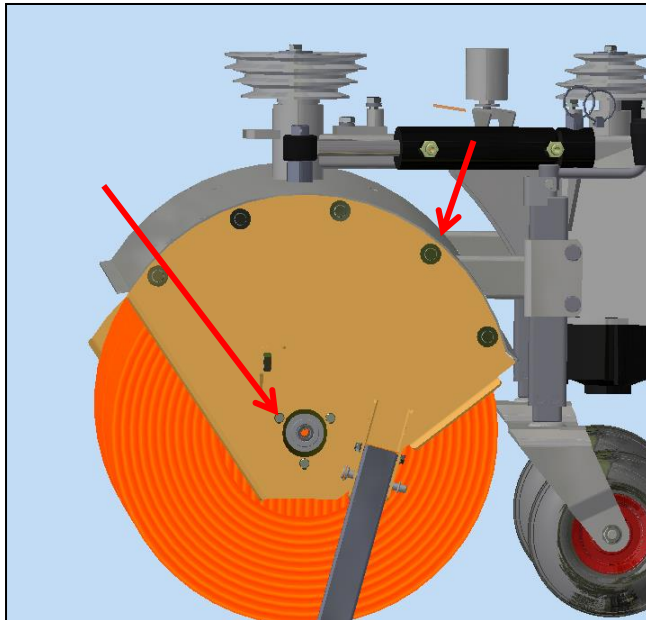


SWE45: Rotate gearbox

matev



1. Remove the cover and belt
2. Dismount bearings on both sides and remove side plate



5. Mount sweeping rollers
6. Mount side plates
7. Mount the bearings
8. Mount the belt and cover again

3. Pull out both sweeping rollers
4. Unscrew bolts on gearbox, turn gearbox by 180 ° and screw the gearbox again

